

PN20 Bronze Gate Valve

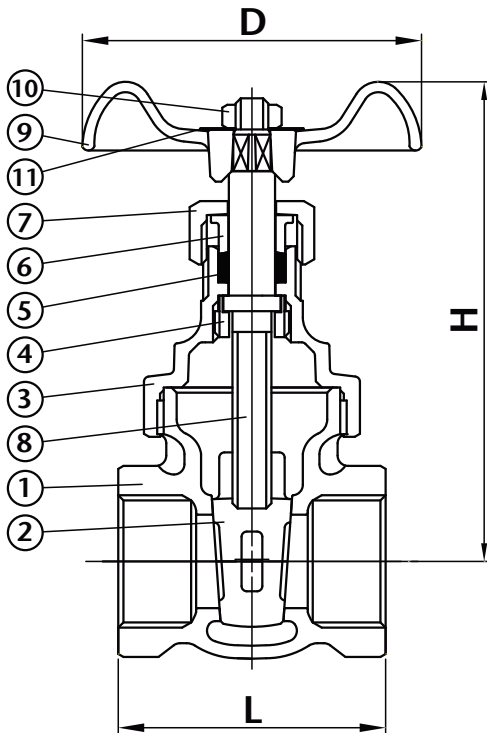
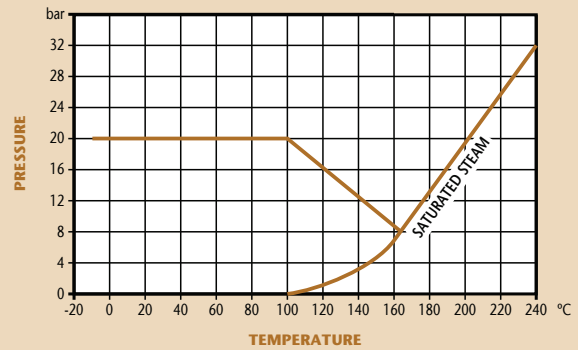
Features

- Screwed BSP Taper
- Bronze Body & Disc
- PN20 Rated
- BS 5154 (BS EN12288)
- Screwed Bonnet
- WRAS Approved

WRAS
APPROVED
PRODUCT



Pressure / Temperature



DN	15	20	25	32	40	50
L	47.5	51.5	58.6	63.0	66.5	73.5
H	78.0	94.0	109.0	120.0	142.0	163.0
D	53.0	63.5	68.5	80.0	90.0	103.0
Kgs	0.33	0.48	0.65	0.93	1.24	1.92

Technical Data

Max Pressure	20 Bar
Working Temperature	-10°C to +180°C

N.	Part Name	Materials
1	Body	Bronze
2	Disc	Bronze
3	Bonnet	Bronze
4	Lock Nut	Brass
5	Stem Packing	PTFE
6	Gland	Brass
7	Packing Nut	Brass
8	Stem	Brass
9	Hand Wheel	Cast Iron
10	Wheel Nut	Steel Zn Plated
11	Name Plate	Aluminium

Dimensions in mm

This data sheet is designed as a guide and should not be regarded as wholly accurate in every detail. We reserve the right to amend the specification of any product without notice.